

YOUR VALUABLE BUSINESS LOGIC AND DATA IS LOCKED AWAY IN A PROPRIETARY ENVIRONMENT.

REPLACEMENT OPTIONS ARE OFTEN EXPENSIVE AND RISKY.

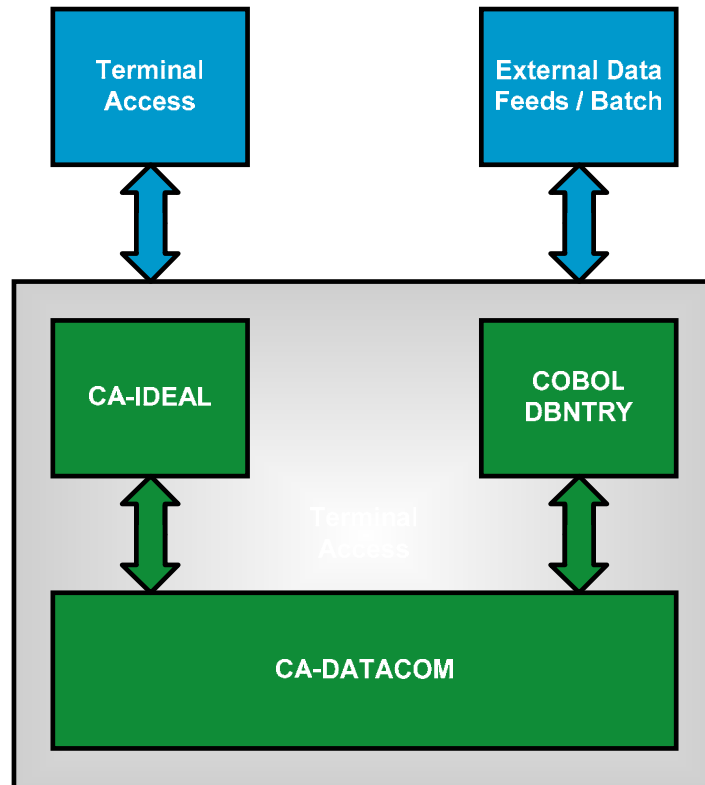
WITH OUR AUTOMATED TOOLS, MIGRATING TO AN OPEN ENVIRONMENT IS AN EASY AND COST EFFECTIVE OPTION.

RE-HOSTING YOUR APPLICATIONS BRINGS IMMEDIATE BENEFITS, INCLUDING:

- REDUCED RUNNING COSTS
- INCREASED DEVELOPMENT PRODUCTIVITY
- IMPROVED ACCESS TO INFORMATION
- ENHANCED ROI FROM LEGACY SYSTEMS
- REDUCED RELIANCE ON SCARCE SKILLS

BY CONVERTING TO OPEN STANDARDS, LANGUAGES AND DATABASES, WE PROVIDE YOU THE FREEDOM TO CHOOSE THE MOST APPROPRIATE PLATFORM. THE FOLLOWING ARE EXAMPLES OF SOME OF THE AVAILABLE CONFIGURATIONS:

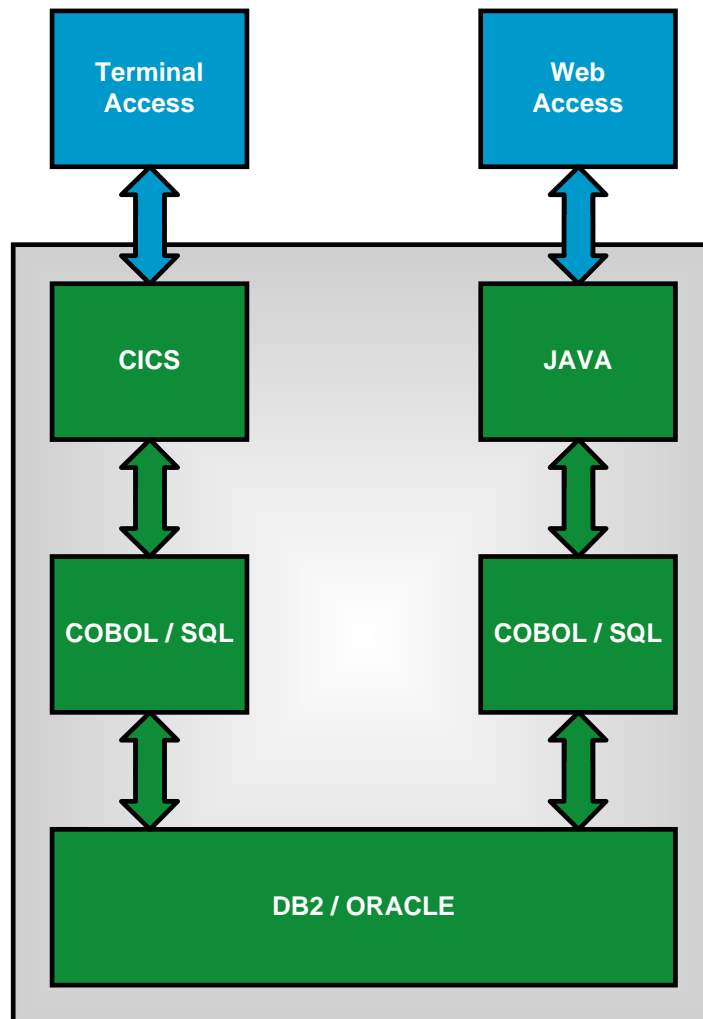
A Typical CA-Datcom / CA-IDEAL Configuration



MAINFRAME RUNNING OS/390:

- BUSINESS LOGIC IS CONVERTED TO COBOL/SQL
- SCREENS ARE CONVERTED TO JAVA FOR WEB ACCESS OR CICS/BMS FOR TERMINAL CONNECTIVITY
- APPROPRIATE WHERE OS/390 IS THE CORPORATE STANDARD
- FURTHER CONVERSION REQUIRED FOR RE-HOSTING

Mainframe Running OS/390 Configuration



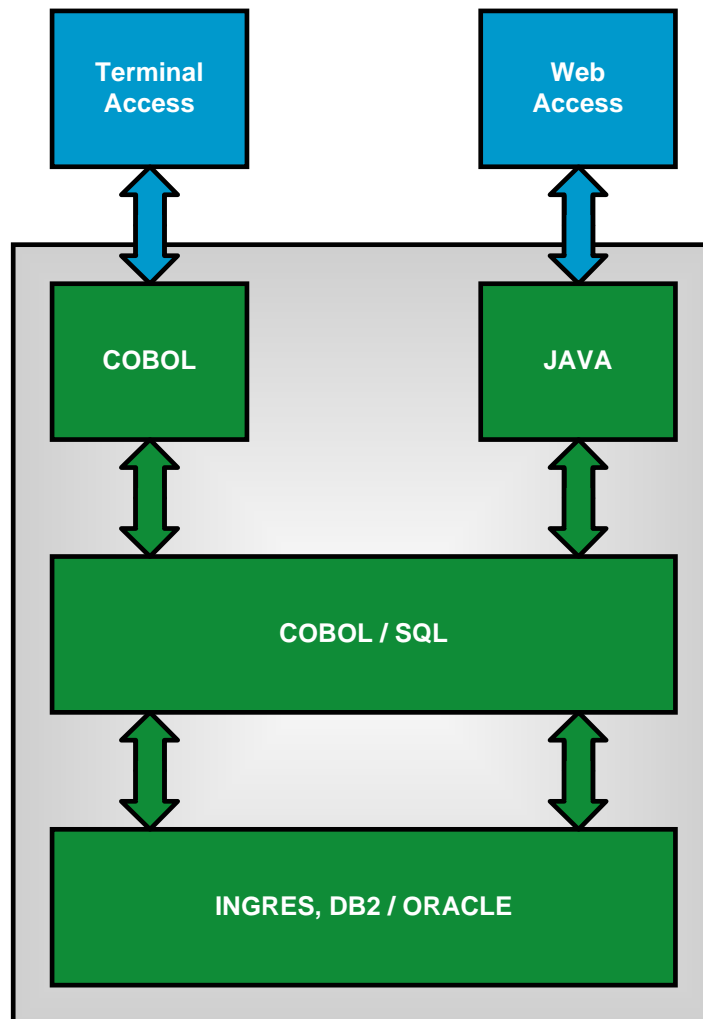
MAINFRAME RUNNING LINUX:

- BUSINESS LOGIC IS CONVERTED TO COBOL/SQL
- SCREENS ARE CONVERTED TO JAVA FOR WEB ACCESS OR COBOL FOR TERMINAL CONNECTIVITY
- APPROPRIATE WHERE MAINFRAME IS THE CORPORATE STANDARD
- INTERIM STEP TOWARDS RE-HOSTING

UNIX/LINUX RE-HOSTING:

- BUSINESS LOGIC CONVERTED TO COBOL/SQL
- SCREENS CONVERTED TO JAVA FOR WEB ACCESS OR COBOL FOR TERMINAL CONNECTIVITY
- APPROPRIATE WHERE UNIX/LINUX IS THE CORPORATE STANDARD
- ONE STEP ROUTE TO RE-HOSTING

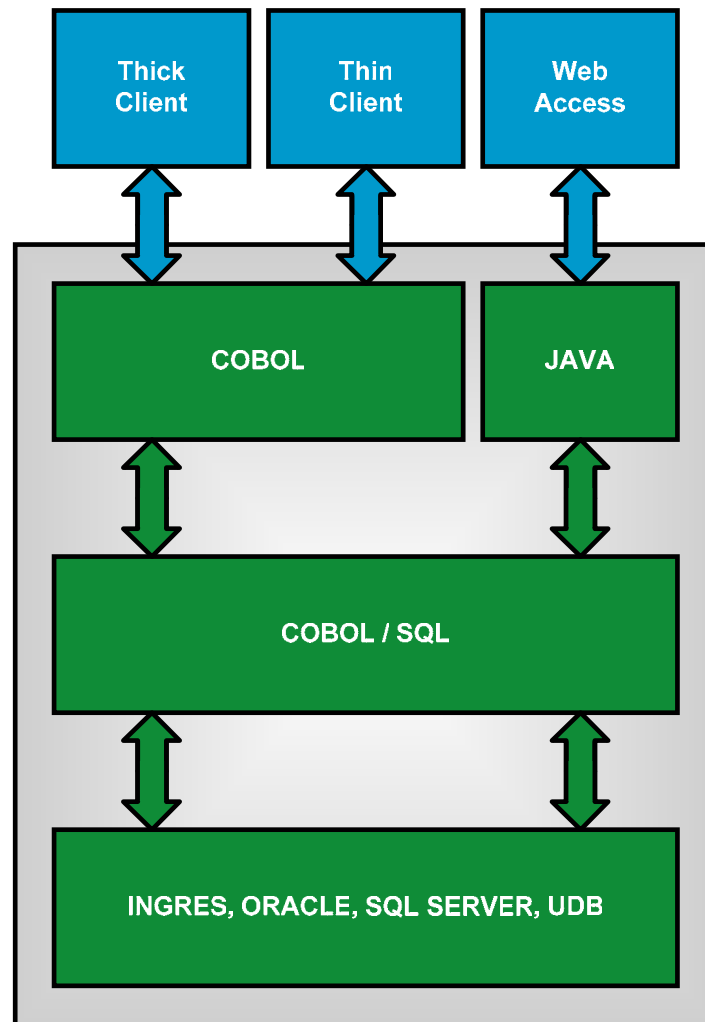
Mainframe Running Linux and UNIX / Linux Re-Hosting Configurations



WINDOWS RE-HOSTING:

- BUSINESS LOGIC CONVERTED TO COBOL/SQL
- SCREENS CONVERTED TO JAVA FOR WEB ACCESS OR COBOL FOR THIN OR THICK CLIENT CONNECTIVITY
- APPROPRIATE WHERE WINDOWS IS THE CORPORATE STANDARD
- ONE STEP ROUTE TO RE-HOSTING

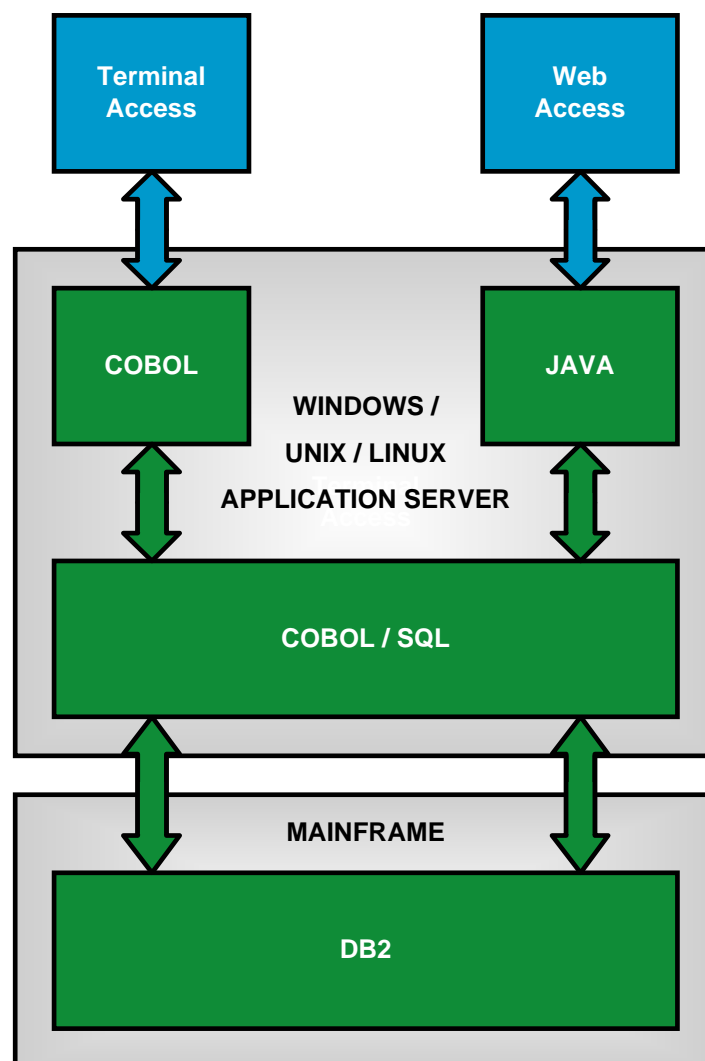
Windows Re-Hosting Configuration



ONLINE ON MAINFRAME:

- BATCH PROCESS RUN ON MAINFRAME
- ONLINE PROCESSES RUN ON APPLICATION SERVER
- BUSINESS LOGIC IS CONVERTED TO COBOL / SQL
- SCREENS ARE CONVERTED TO JAVA FOR WEB ACCESS OR COBOL FOR TERMINAL OR THICK / THIN CLIENT CONNECTIVITY
- APPROPRIATE WHERE MAINFRAME DB2 IS THE CORPORATE STANDARD
- FURTHER CONVERSION REQUIRED FOR RE-HOSTING

Online Running Linux, UNIX or Windows, Batch Running on Mainframe



Application Conversion Experts

The Conversion Family of Utilities

I2C is part of a family of utilities that comprise the 'Conversion Suite'. These utilities may be purchased for use under licence or they can be implemented by m2o consultants as part of a packaged conversion solution. The range of utilities include: the Pre Conversion tool; I2C; Panel Painter; DBNTRY Replacement Generator. These utilities have been designed to function in partnership with each other, but can be used in isolation, if required.

Automated CA-Datcom Migration and Conversion

m2o is a leading provider of data migration and application conversion solutions that unlock the value of relational databases and legacy systems. m2o specializes in transforming legacy applications, including automated conversions from CA-IDEAL to open languages such as COBOL and Java and migrations from CA-Datcom to open databases such as CA-Ingres, Oracle, DB2 and SQL Server. m2o provides automated conversion tools and migration services that offer wide platform coverage, exceptional accuracy and clear Return on Investment that are unmatched by any other vendor or solution. m2o has over ten years experience with a worldwide customer base of blue-chip organizations that benefit from its unique expertise and automated tools.

Contact Details

For further information on I2C and please contact m2o in the UK at: info@move2open.com.

Alternatively visit the m2o web site at: www.move2open.com



m2o Limited
14 Hanborough Business Park
Long Hanborough
Oxford, OX29 8LH

Email: info@move2open.com
Web: www.move2open.com

© Copyright 2007 m2o Limited. I2C and move2open are trading names of m2o Limited. All other brand or product names are trademarks of their respective owners.